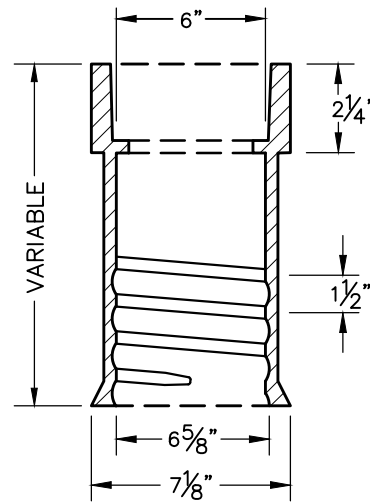
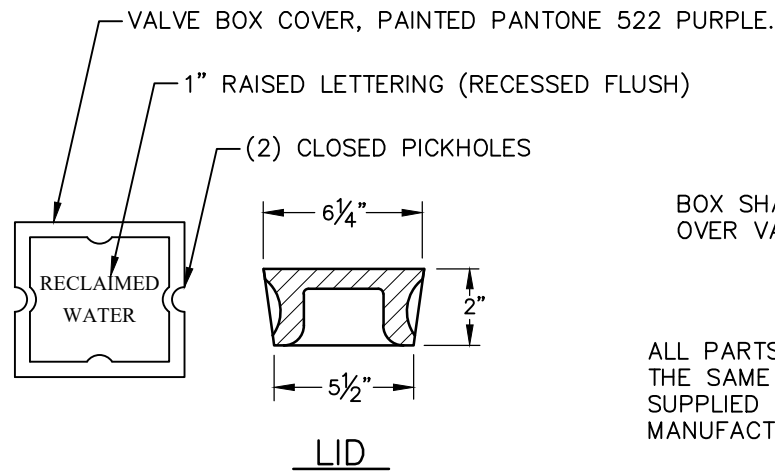


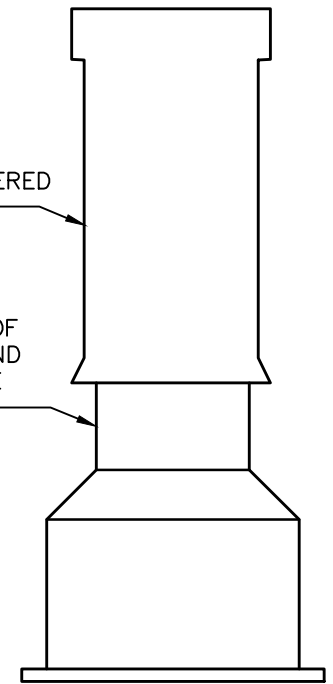
BOTTOM SECTION



SQUARE UPPER SECTION

BOX SHALL BE CENTERED  
OVER VALVE

ALL PARTS SHALL BE OF  
THE SAME MATERIAL AND  
SUPPLIED BY THE SAME  
MANUFACTURER



COMPLETE BOX

- NOTES:**
1. VALVE BOX COVER SHALL WEIGH A MINIMUM 13 lbs.
  2. ENTIRE VALVE BOX ASSEMBLY & COVER SHALL BE CAST FROM CLASS 35 GRAY IRON.
  3. ASSEMBLY SHALL BE DOMESTICALLY MADE AND MANUFACTURED IN THE U.S.A.



EFFECTIVE: 07/01/23

**STANDARD VALVE BOX  
(FOR RECLAIMED WATER)**

DETAIL No.  
6500.13