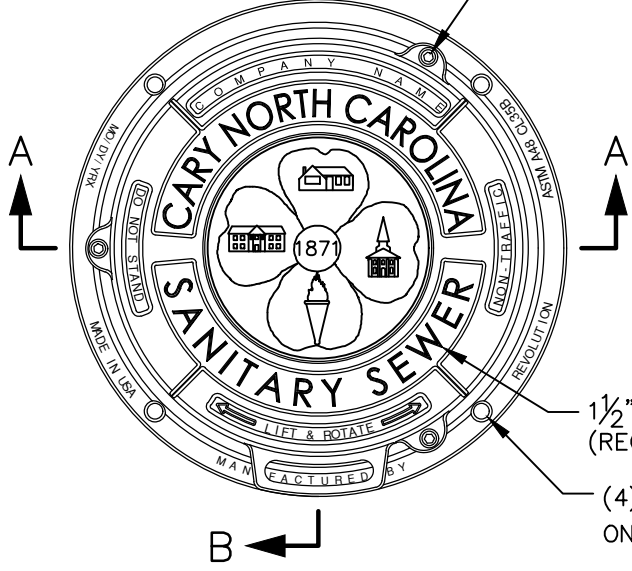


(3) HEX HEAD $\frac{3}{8}$ "-16
ZINC PLATED BOLT WITH ZINC WASHER
& ZINC COATED STAINLESS STEEL NUT



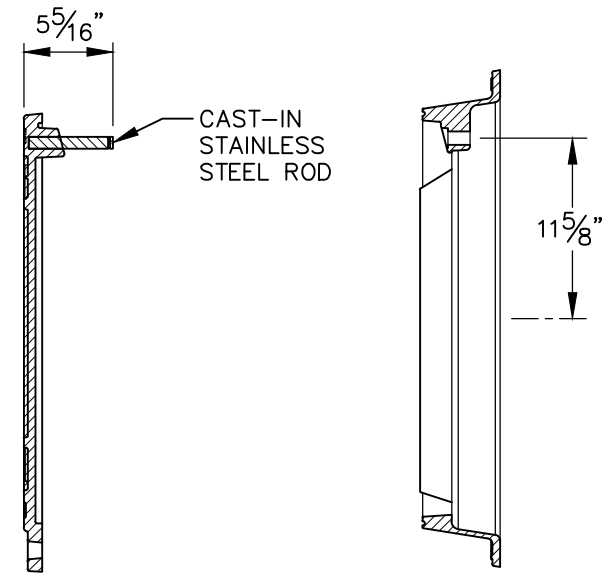
SPECIFICATIONS:

1. GRAY IRON.
2. COMPLIES WITH ASTM A48 CL35B.
3. ALL LETTERING SHALL BE CLEAN, CRISP, AND CLEARLY LEGIBLE.
4. DOMESTICALLY MADE AND MANUFACTURED IN THE USA.

$1\frac{1}{2}$ " RAISED LETTERING
(RECESSED FLUSH)

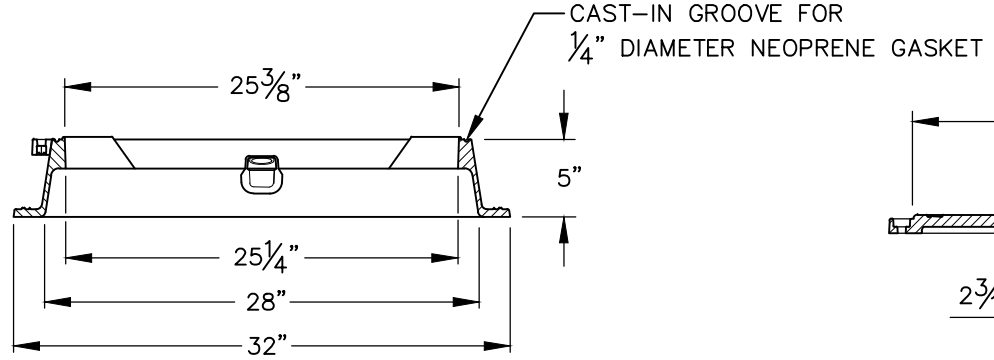
(4) 1" DIA. HANDLING HOLES
ON A $29\frac{3}{4}$ " DIA. B.C.

COVER TOP VIEW

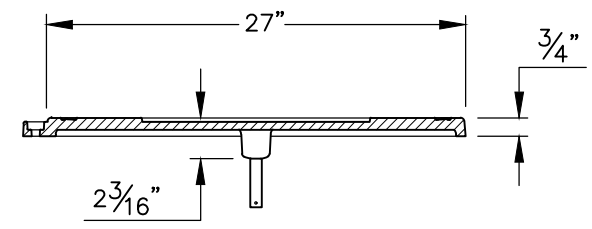


COVER SECTION B-B

FRAME SECTION B-B



FRAME SECTION A-A



COVER SECTION A-A



**STANDARD MANHOLE RING AND COVER
(TYPE 2A FOR OUTFALLS - WATERTIGHT APPLICATIONS)**

DETAIL No.
7000.08