

2" GALVANIZED VENT AT HIGH END OF CASING.
 VENT TO HAVE INSECT SCREEN WELDED TO END.
 VENT TO BE USED FOR ALL STREAM CROSSINGS,
 NOT REQUIRED FOR TYPICAL ROADWAY BORES.

ENCLOSE ENDS WITH 8" BRICK MASONRY
 (SEAL WITH NON-SHRINK GROUT AS REQUIRED)

STEEL ENCASEMENT PIPE

STEEL SPACER

CARRIER PIPE

DRAINAGE GRAVEL
 (10 CU. FT. STONE)

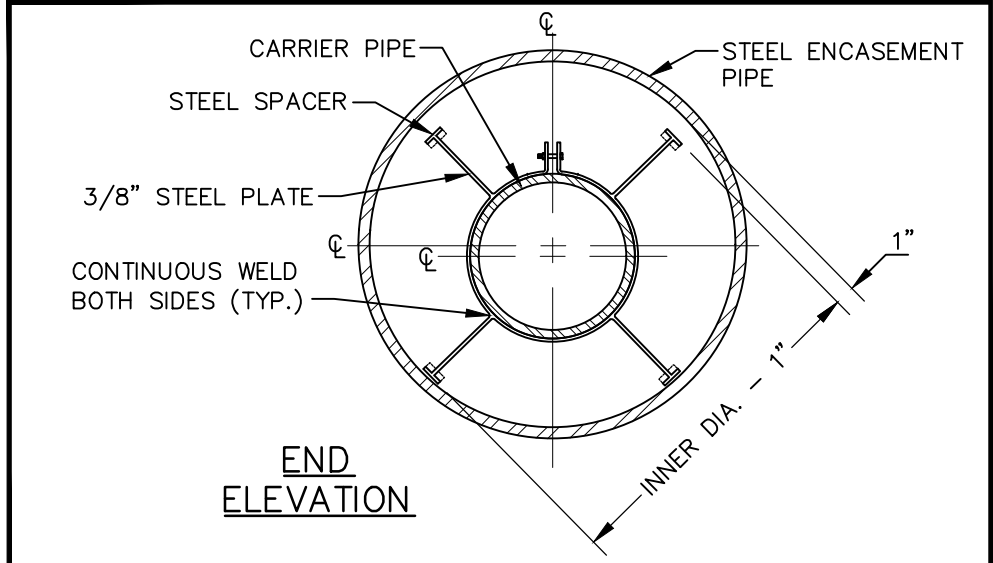
SLOPE TO DRAIN

RESTRAINED JOINT D.I.P. CARRIER
 MAIN (SEE NOTES FOR EXCEPTIONS)

3/4" WEEPHOLE AT LOW
 POINT OF CASING

ELEVATION

- NOTES:**
1. STEEL SPACERS SHALL BE USED FOR SUPPORT OF THE CARRIER PIPE WITHIN THE CASING PIPE.
 2. A MINIMUM SPACING OF 2 SPACERS PER JOINT OF CARRIER PIPE SHALL BE REQUIRED. 3 SPACERS ARE REQUIRED FOR CARRIER PIPE ≥ 36 INCHES.
 3. THE SPACERS SHALL BE LOCATED EVENLY ALONG THE CARRIER PIPE SUCH THAT EACH SPACER SUPPORTS THE SAME UNIT WEIGHT OF THE CARRIER MAIN.
 4. FOR CASING SIZE SEE STANDARD SPECIFICATION SECTION 7000.
 5. RECLAIMED WATER LINE SHALL BE PVC WITH RESTRAINED JOINTS.
 6. VENT OPENING SHALL BE INSTALLED 12" ABOVE 100-YEAR FLOOD ELEVATION OR 36" ABOVE EXISTING GRADE, WHICHEVER IS HIGHER.



END
 ELEVATION

STEEL ENCASEMENT & CARRIER PIPE

DETAIL No.
 7000.33



EFFECTIVE: 07/01/23