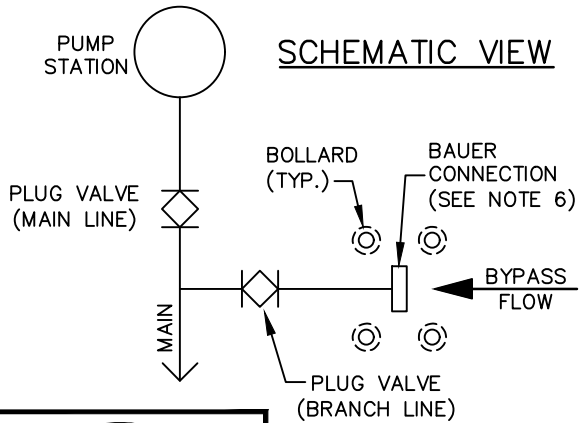
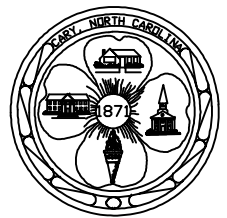


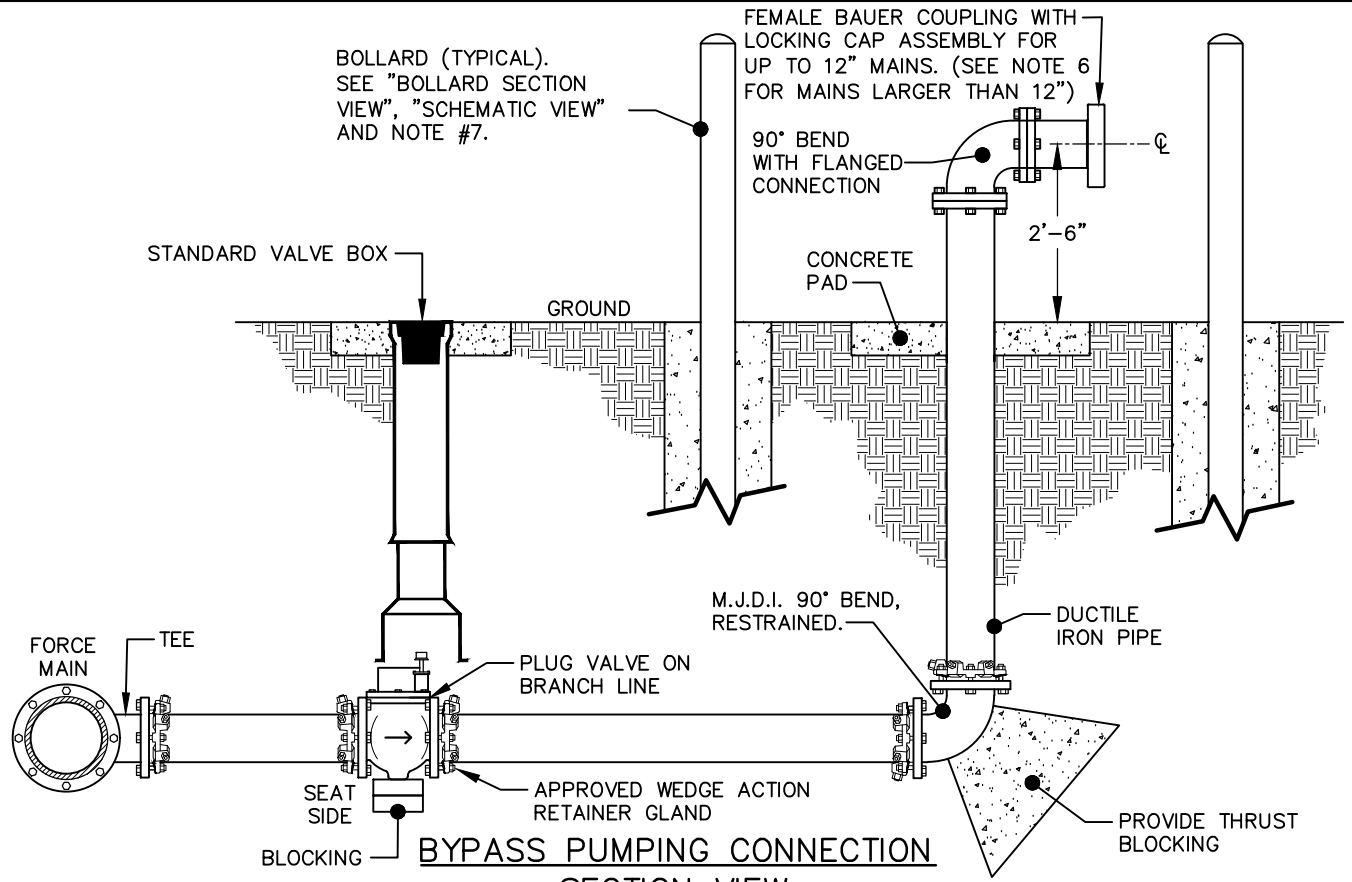
**BOLLARD SECTION VIEW**



**SCHEMATIC VIEW**



EFFECTIVE: 07/01/23



**BYPASS PUMPING CONNECTION SECTION VIEW**

**NOTES:**

1. ALL PIPING WITHIN THE BYPASS ASSEMBLY SHALL BE INTERIOR COATED WITH COATING LISTING ON APPROVED PRODUCTS LIST.
2. ALL BURIED PIPES, VALVES, AND FITTINGS SHALL BE RESTRAINED WITH WEDGE ACTION RETAINER GLANDS AND BLOCKING AS SHOWN.
3. ALL PIPING FOR THE BYPASS CONNECTION SHALL BE SIZED BY THE ENGINEER OF RECORD.
4. THE CONNECTION SHALL BE SURROUNDED BY BOLLARDS AND LABELED "FOR EMERGENCY BYPASS PUMPING ONLY".
5. CONNECTION SHALL BE FIELD VERIFIED TO ENSURE ADEQUATE ROOM FOR PUMPING EQUIPMENT.
6. FOR FORCE MAINS LARGER THAN 12", A REDUCER AND BLIND FLANGE IS REQUIRED IN PLACE OF THE BAUER CONNECTION.
7. LOCATION OF ALL BOLLARDS SHALL BE COORDINATED IN THE FIELD WITH CARY UTILITIES DEPT.
8. PLUG VALVES SHALL BE FULL PORT, BI-DIRECTIONAL PLUG VALVES.

**TYPICAL BYPASS CONNECTION TO FORCE MAIN**

DETAIL No.

7200.11