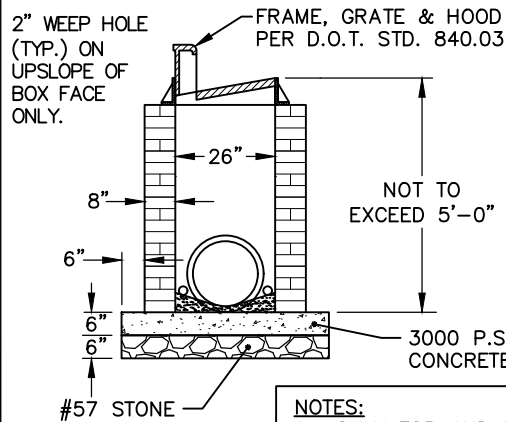
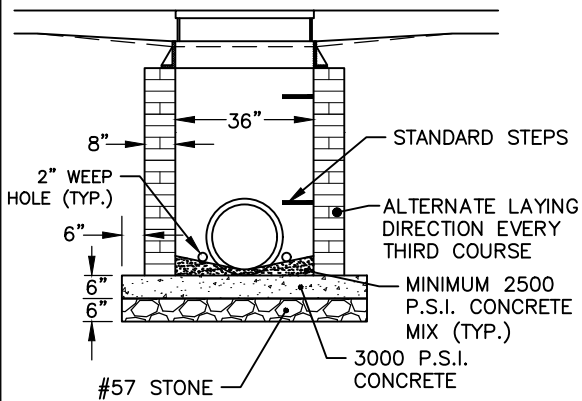


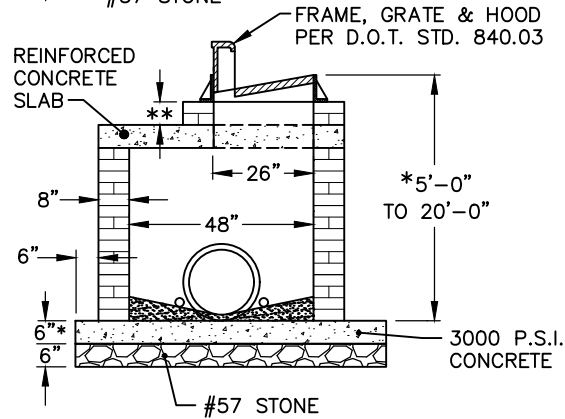
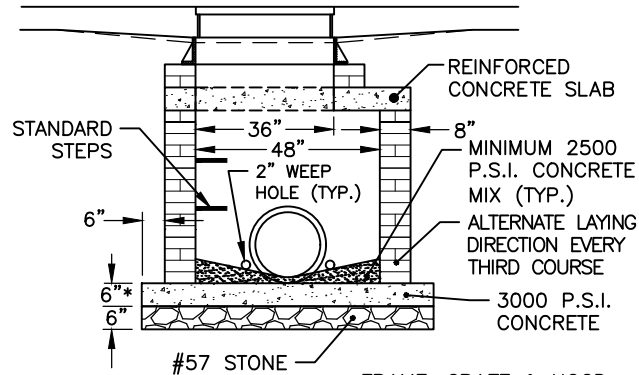
SHALLOW TYPE

(5 FEET OR LESS IN DEPTH)

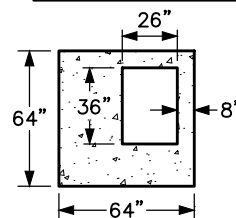


INTERMEDIATE TYPE (4'X4')

(5 FEET TO 20 FEET IN DEPTH)

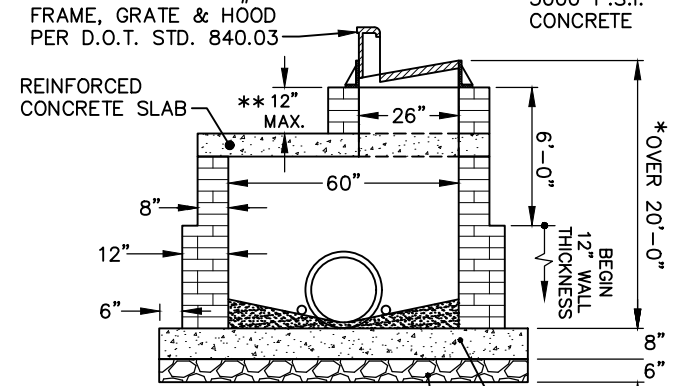
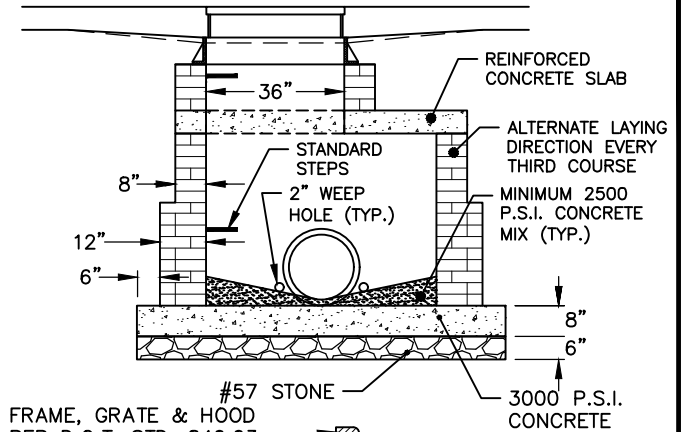


SLAB DETAIL

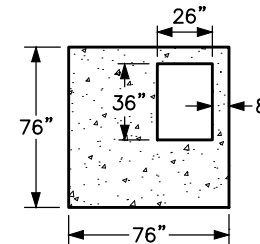


DEEP TYPE (5'X5')

(OVER 20 FEET IN DEPTH)



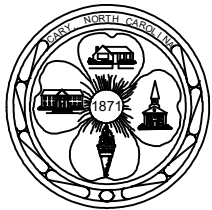
SLAB DETAIL



NOTES:

1. ONLY TOP AND BOTTOM STEPS REQUIRED ON BOXES INSTALLED IN THE PUBLIC RIGHT-OF-WAY.
2. SLAB THICKNESS AND REINFORCEMENT FOR SOIL AND TRAFFIC LOADING BY AN ENGINEER.
3. PLACE SAND BAG FILLED WITH #57 STONE OVER WEEP HOLES ON EXTERIOR OF BOX.

- * OVER 8' IN DEPTH, 12" WALL THICKNESS TO 6' FROM TOP OF WALL, AND 8' BOTTOM SLAB SHALL BE USED.
- ** BRICK MAY BE USED TO ADJUST FRAME, GRATE & HOOD TO SURFACE ELEVATION A MAXIMUM OF 12 INCHES.



EFFECTIVE: 07/01/23

STANDARD CONCRETE BLOCK OR BRICK CATCH BASIN

DETAIL No.

8000.03