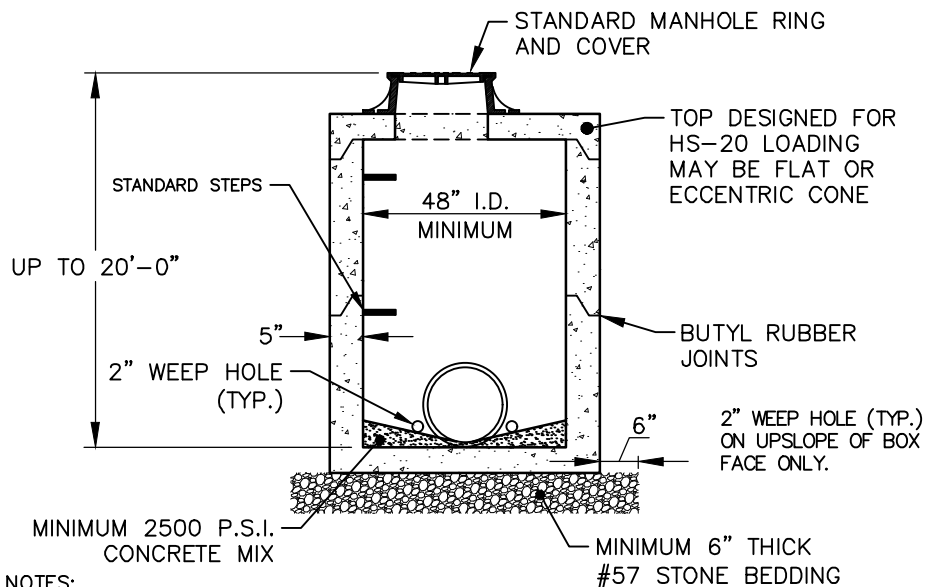
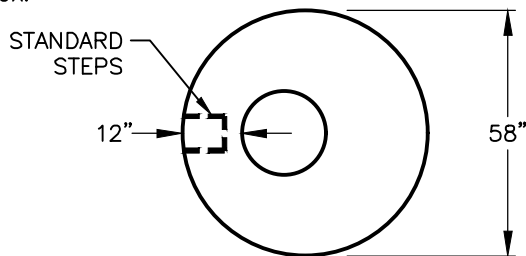


STANDARD TYPE
(UP TO 20 FEET IN DEPTH)



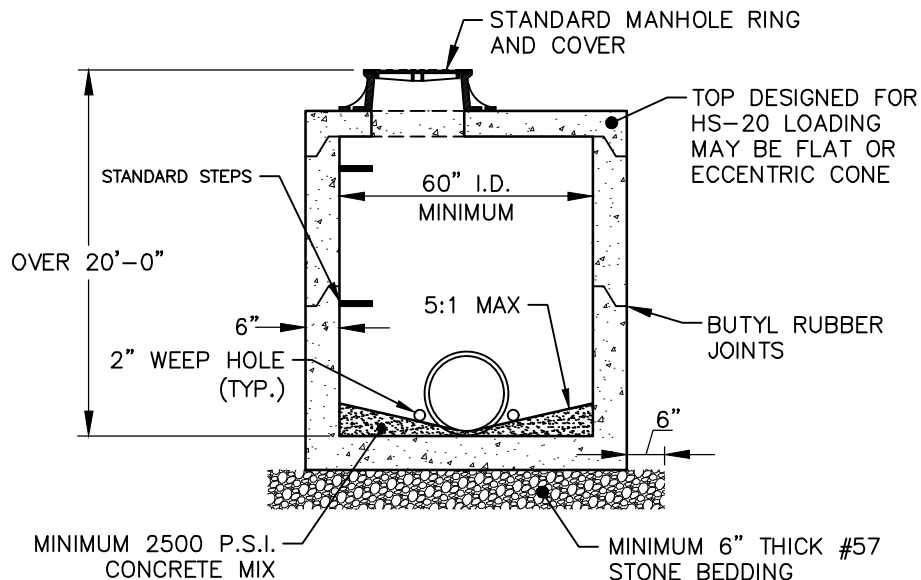
NOTES:

1. ONLY TOP AND BOTTOM STEPS REQUIRED ON BOXES INSTALLED IN THE PUBLIC RIGHT-OF-WAY
2. ALL EXTERNAL JOINTS SHALL BE WRAPPED WITH 6" MIN. RUBBERIZED MASTIC JOINT WRAP.
3. PLACE SAND BAG FILLED WITH #57 STONE OVER WEEP HOLES ON EXTERIOR OF BOX.



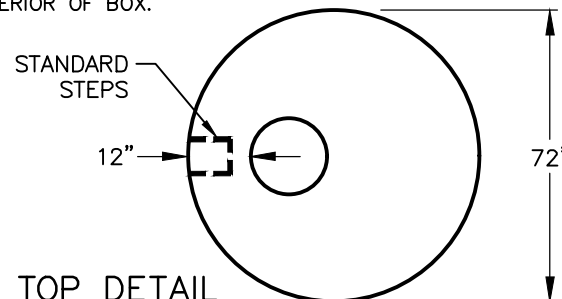
FLAT TOP DETAIL

DEEP TYPE
(OVER 20 FEET IN DEPTH)



NOTES:

1. ONLY TOP AND BOTTOM STEPS REQUIRED ON BOXES INSTALLED IN THE PUBLIC RIGHT-OF-WAY
2. ALL EXTERNAL JOINTS SHALL BE WRAPPED WITH 6" MIN. RUBBERIZED MASTIC JOINT WRAP.
3. PLACE SAND BAG FILLED WITH #57 STONE OVER WEEP HOLES ON EXTERIOR OF BOX.



FLAT TOP DETAIL



EFFECTIVE: 07/01/23

STANDARD PRECAST CONCRETE MANHOLE JUNCTION BOX

DETAIL No.

8000.06