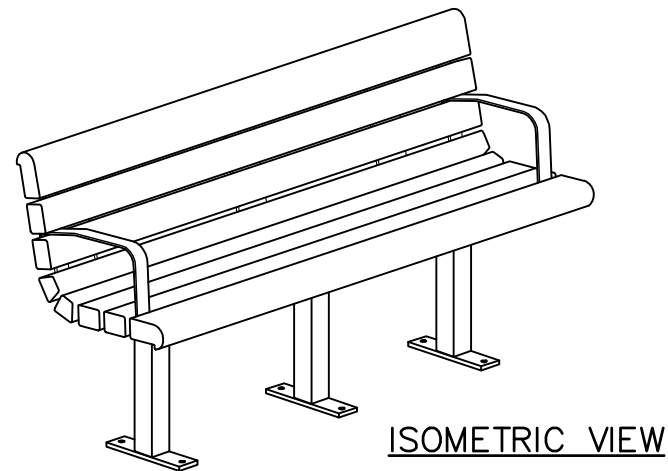


**NOTES:**

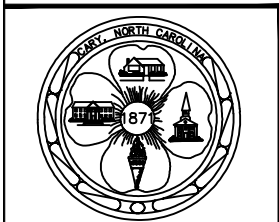
1. ALL STEEL MEMBERS COATED W/ ZINC RICH EPOXY THEN FINISHED WITH BLACK POLYESTER POWDER COATING.
2. DuMor PRODUCT OR EQUIVALENT.



STANDARD BENCH

DETAIL No.

9300.01



EFFECTIVE: 07/01/23