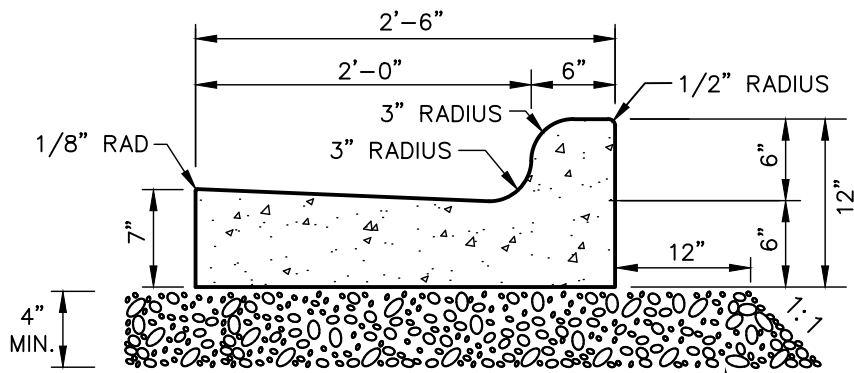
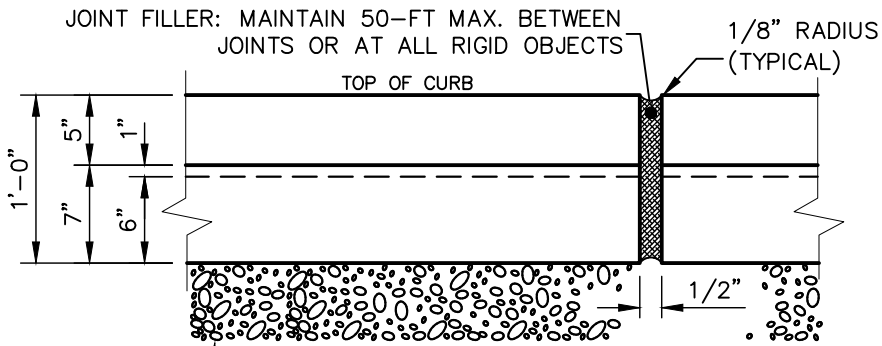


STANDARD CURB TYPE



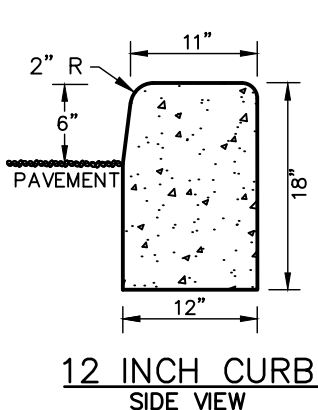
STANDARD 30" CURB & GUTTER
SIDE VIEW

AGGREGATE BASE COURSE (A.B.C.)
UNDER THE CURB & GUTTER

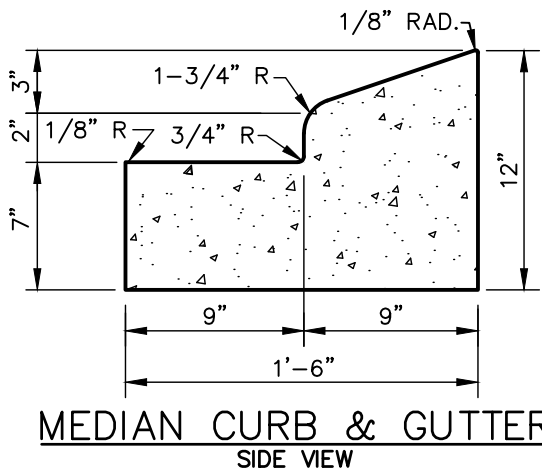


FRONT VIEW
TRANSVERSE EXPANSION JOINT

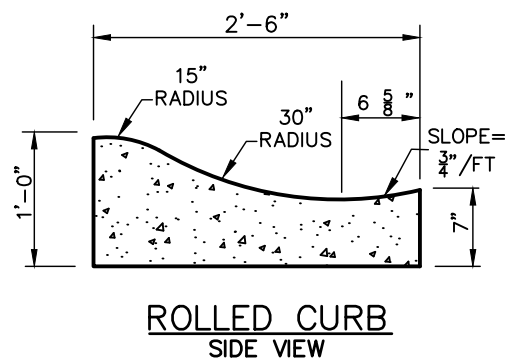
ALTERNATE CURB TYPES



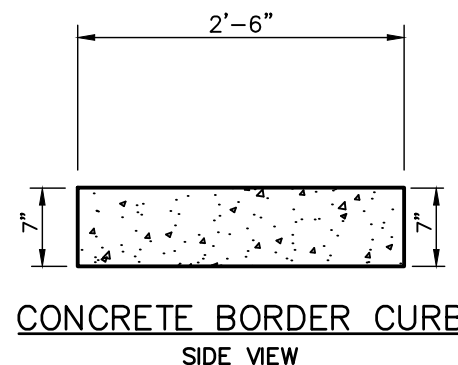
12 INCH CURB
SIDE VIEW



MEDIAN CURB & GUTTER
SIDE VIEW



ROLLED CURB
SIDE VIEW



CONCRETE BORDER CURB
SIDE VIEW

NOTES:

1. CONCRETE SHALL BE 3,000 P.S.I.
2. CONTRACTION JOINTS SHALL BE SPACED AT 10 FOOT INTERVALS. (A 15 FOOT SPACING WILL BE ALLOWED WHEN A MACHINE IS USED)
3. FINISH ALL CONCRETE WITH CURING COMPOUND.
4. REFER TO NCDOT DET. 846.01 FOR CURB & GUTTER SUPERELEVATION RATES.

CONCRETE CURB AND GUTTER TYPES

DETAIL No.

3100.01



EFFECTIVE:07/01/24