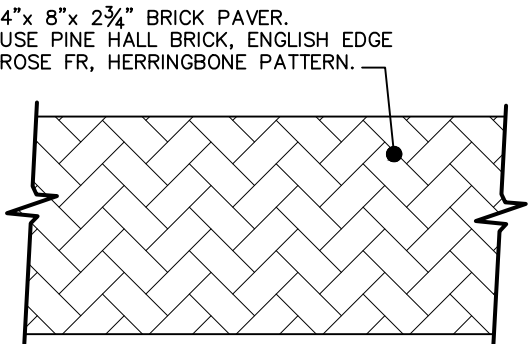
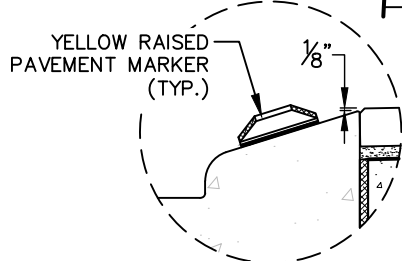


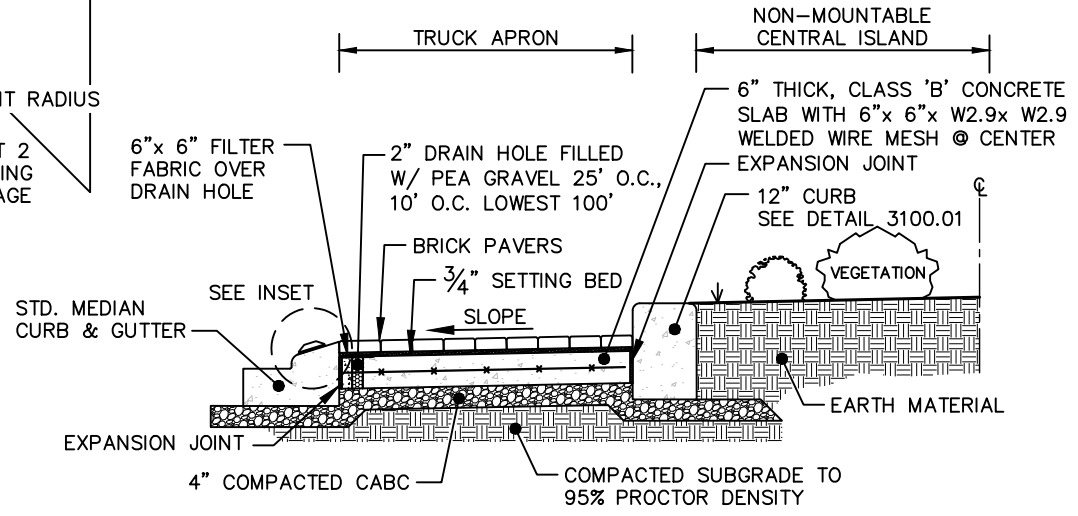
**ROUNDABOUT PLAN VIEW**



**BRICK PAVERS  
PLAN VIEW**



**INSET**



**CENTRAL ISLAND SECTION VIEW**

- NOTES:**
1. ROUNDABOUTS SHALL BE DESIGNED WITH THE APPROPRIATE PARAMETERS IN ACCORDANCE WITH THE LATEST EDITION OF THE **FHWA** ROUNDABOUTS: AN INFORMATIONAL GUIDE.
  2. DRAINAGE STRUCTURES, SUCH AS UNDERDRAINS AND CATCH BASINS, SHALL BE INCLUDED IN THE DESIGN TO ENSURE PROPER DRAINAGE OF THE CENTRAL ISLAND AND CIRCULATORY ROADWAY.



EFFECTIVE:07/01/24

**SINGLE LANE ROUNDABOUT**

DETAIL No.  
3100.15  
SHEET 1 OF 2