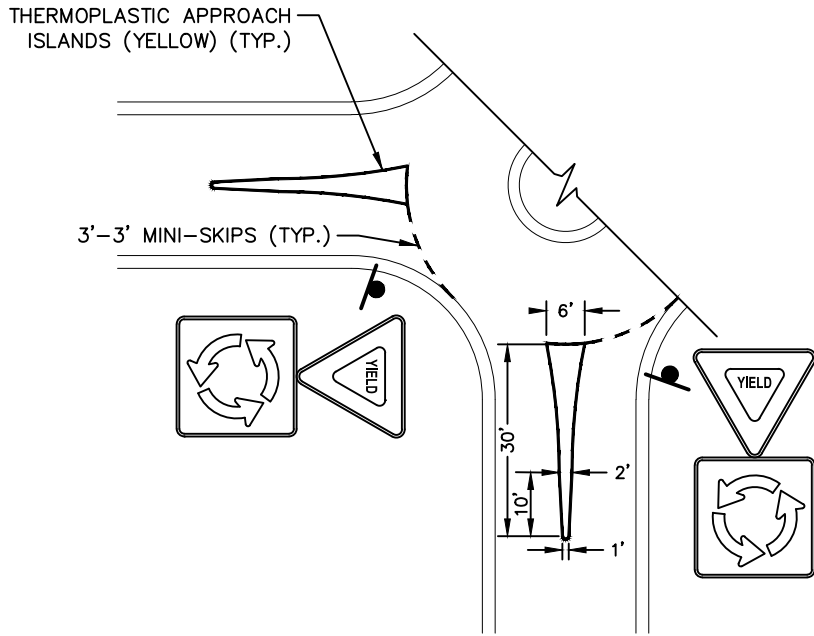
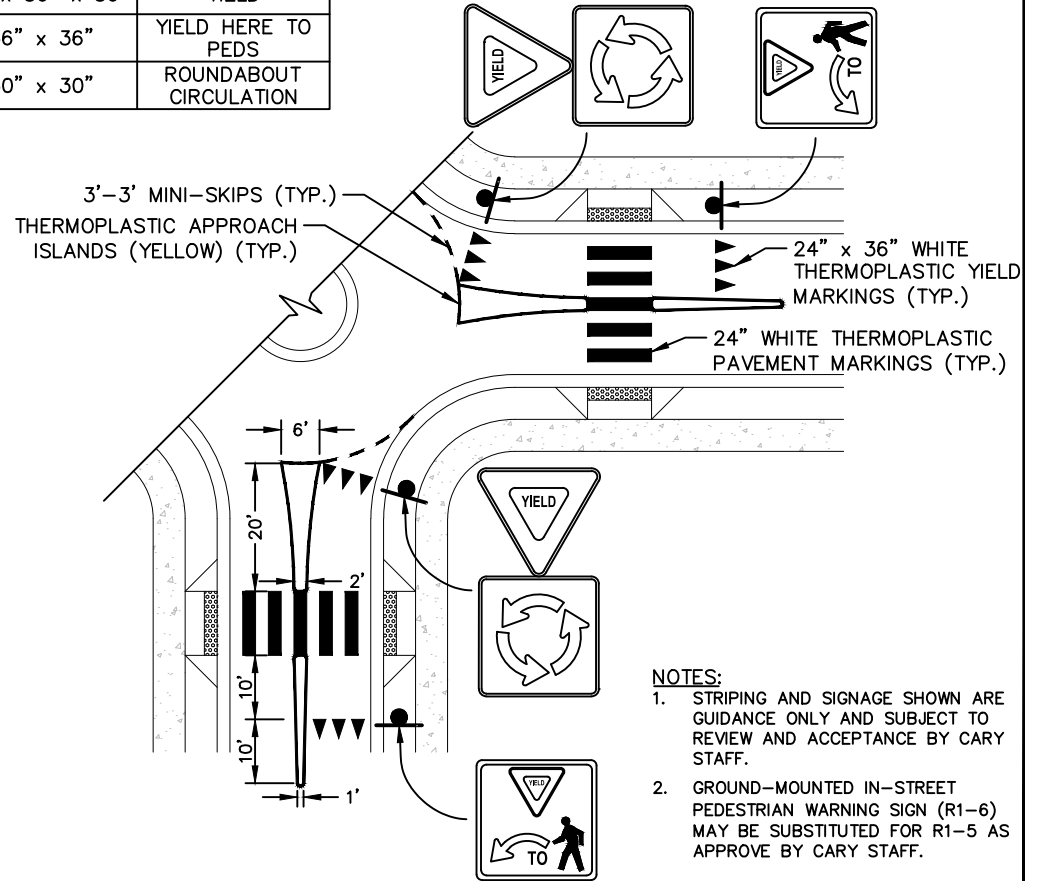


TYPICAL STRIPING AND SIGNAGE CONFIGURATION

SIGN TABLE		
DESIGNATION	SIZE	TYPE
R1-2	36" x 36" x 36"	YIELD
R1-5	36" x 36"	YIELD HERE TO PEDS
R6-5P	30" x 30"	ROUNDABOUT CIRCULATION

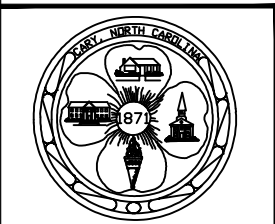


LOCAL STREETS
WITHOUT SIDEWALKS



COLLECTOR STREETS &
LOCAL STREETS WITH SIDEWALKS

- NOTES:**
1. STRIPING AND SIGNAGE SHOWN ARE GUIDANCE ONLY AND SUBJECT TO REVIEW AND ACCEPTANCE BY CARY STAFF.
 2. GROUND-MOUNTED IN-STREET PEDESTRIAN WARNING SIGN (R1-6) MAY BE SUBSTITUTED FOR R1-5 AS APPROVE BY CARY STAFF.



EFFECTIVE:07/01/24

NEIGHBORHOOD TRAFFIC CIRCLE (RETROFIT ONLY)

DETAIL No.

3100.16
SHEET 2 OF 2