

CONCRETE DRIVEWAY APRON  
WITH 6" MINIMUM THICKNESS

CONCRETE SIDEWALK  
W/ 6" MIN. THICKNESS

PRIVATE DRIVEWAY

EXISTING  
PAVEMENT

5'-5"

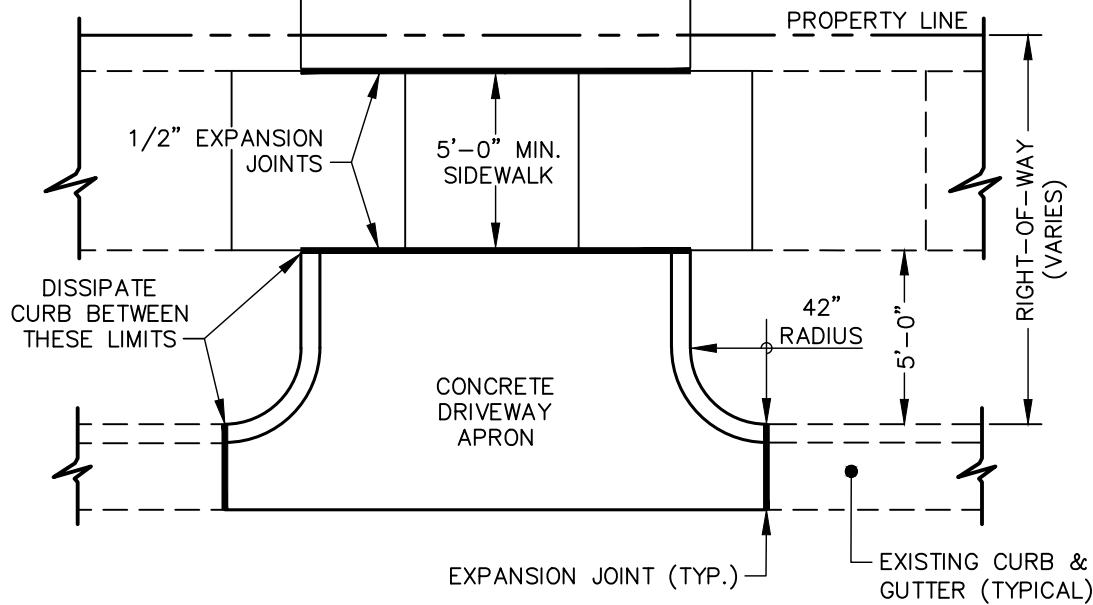
+10.6%

+2%

COMPACTED BACKFILL

1/2" EXPANSION  
JOINTS

TYPICAL SECTION



PLAN VIEW

NOTES:

1. CURB SHALL BE TAPERED TO FINISH FLUSH WITH SIDEWALK.
2. BEGINNING RADIUS SHALL NOT ENCROACH ON ADJACENT PROPERTIES BASED ON A PROJECTION OF THE PROPERTY LINE FROM THE RIGHT OF WAY TO THE CURB LINE.
3. SIDEWALK SECTION SHALL BE REQUIRED ALONG ALL STREETS.
4. ALL DRIVEWAYS WITHIN RIGHT OF WAY SHALL BE 3,000 PSI CONCRETE.
5. CARY IS NOT RESPONSIBLE FOR DRIVEWAY GRADES OR DESIGN BEYOND THE RIGHT OF WAY (PRIVATE PROPERTY).
6. ALL WORK WITHIN THE RIGHT OF WAY REQUIRES AN APPROVED PERMIT.
7. TYPE I DRIVEWAY MINIMUM WIDTH IS 12 FT AND MAXIMUM WIDTH IS 18 FT.
8. ALL WORK WITHIN THE RIGHT OF WAY SHALL ACCOMMODATE EXISTING DRAINAGE FEATURES.



EFFECTIVE:07/01/24

DRIVEWAY APRON - TYPE I & II

DETAIL No.

3200.01