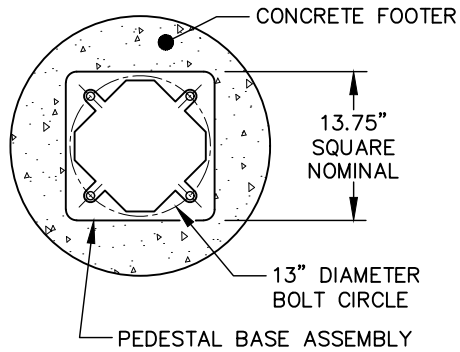


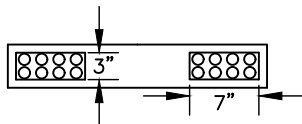
BASE PLATE DETAIL

(PLAN VIEW)



FLASHING BEACON DETAIL

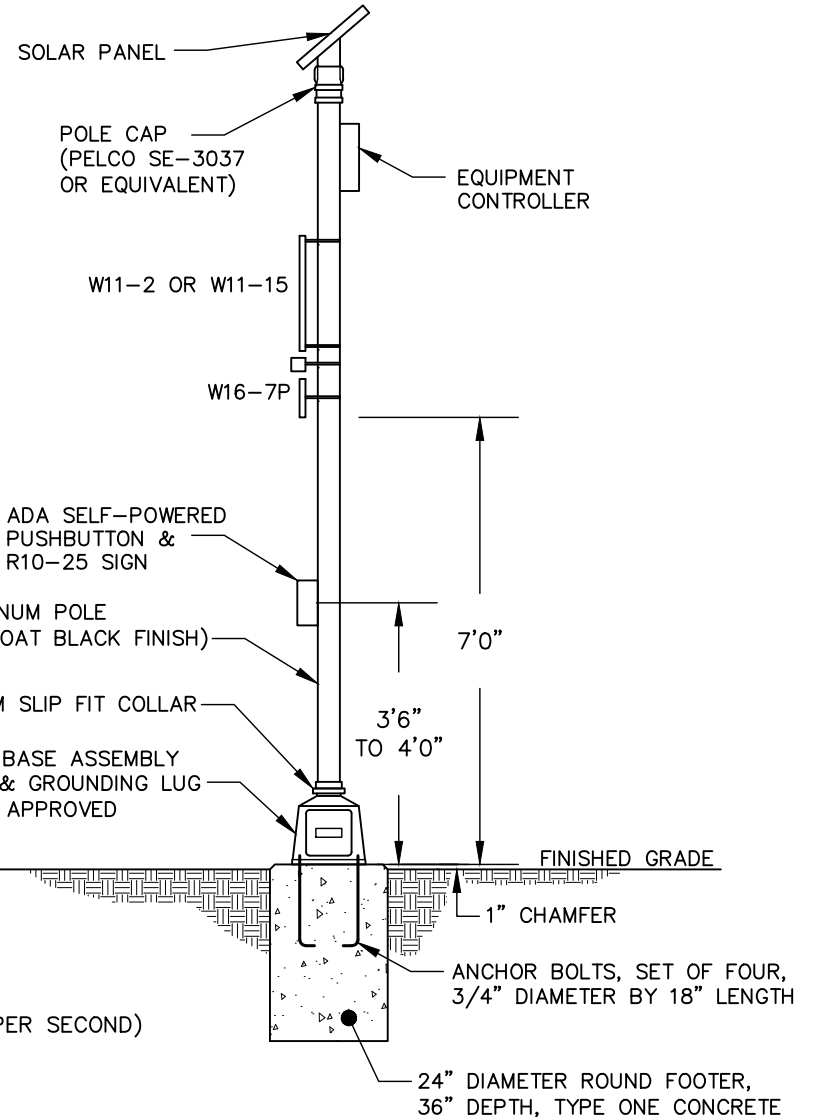
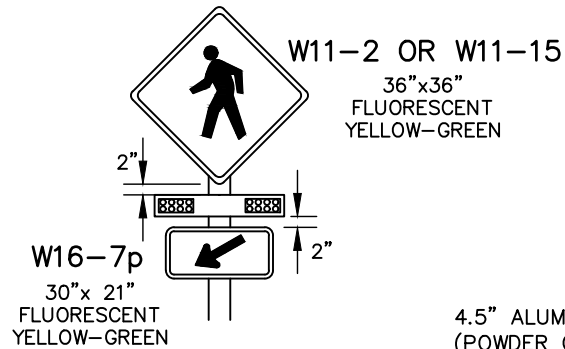
(FRONT VIEW)



RAPID FLASHING BAR
CLEAR LENSES WITH
AMBER LED'S

SIGN DETAIL

(FRONT VIEW)



NOTES:

1. THE EQUIPMENT CONTROLLER SHALL INCLUDE ROADSIDE PROCESSOR UNITS TO ALLOW FOR CONNECTED VEHICLES FUNCTIONALITY. SPECIFIC MODELS FOR THE RSP, BATTERY, AND SOLAR PANEL SHALL BE DESIGNATED BY CARY STAFF TO ENSURE PROPER OPERATIONS AND COMMUNICATIONS.
2. TWO-SIDED OR ONE-SIDED DEPENDING ON LOCATION
3. WIG-WAG PATTERN OR STUDDER FLASH PATTERN (RATE OF 1X PER SECOND)
4. WIRELESS SYNCHRONIZED 3" X 7" LED'S
5. WIRELESSLY LINKED TO OTHER RRFB'S (900 MHZ RADIO SYSTEM)
6. BLACK POWDER COAT ON ALL MATERIALS



EFFECTIVE:07/01/24

RECTANGULAR RAPID FLASHING BEACON ASSEMBLY

DETAIL No.

3500.06