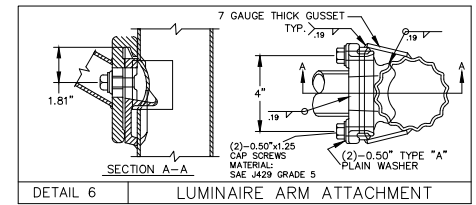
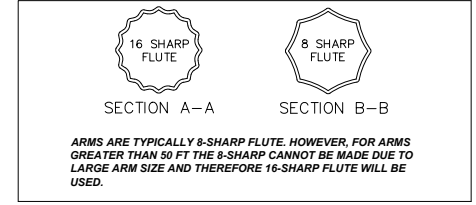
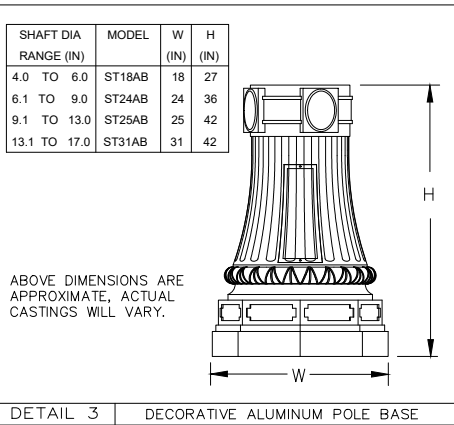


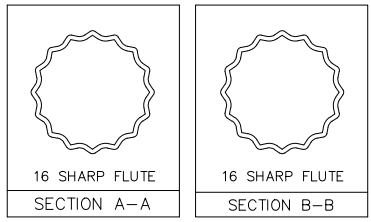
DETAIL 5 ID TAGS

MFG./LOC. _____ MFG. DATE MM/YY _____
 SHAFT D/T/L/Y _____ SEC D/T/L/Y _____
 ARM-A D/T/L/Y _____ NCDOT SIG.INV.NO. _____
 ARM-B D/T/L/Y _____ NCDOT POLE NO. _____
 A.B. D/B.C./L/Y _____
 NCDOT SIG.INV.NO. _____
 NCDOT POLE NO. _____

SHAFT TAG
 (PROVIDE ON EACH SECTION OF A MULTI-SECTION ARM)

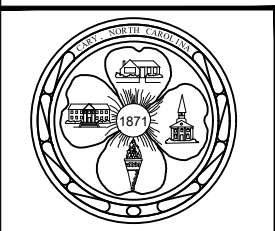


LONGITUDINAL SEAMS ON ALL TAPERED SHAFTS ARE GROOVE WELDS WITH 60 % MINIMUM PENETRATION



ALL ANGLES MEASURED CLOCKWISE FROM HAND-HOLE AS VIEWED FROM SMALL END OF POLE

HANDHOLE LOCATION TO COINCIDE WITH CASTING'S



COLOR:
 BLACK (Federal Standard 595C, Color Chip Number 37038)

DECORATIVE METAL MAST ARM POLE

EFFECTIVE: 07/01/24

DETAIL No.
 3500.07