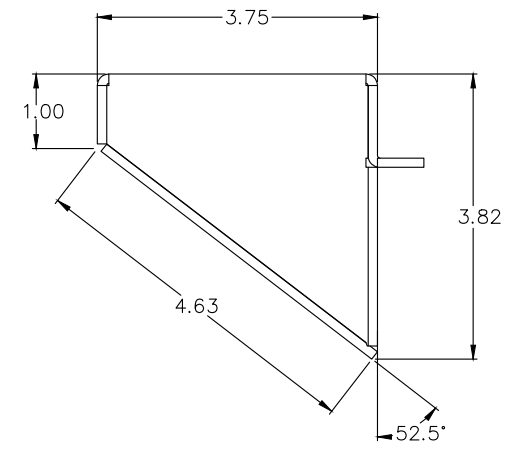
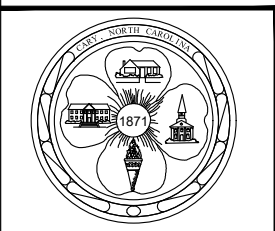


15930500- 1& 2A

MATERIAL: .125" THICK ALUMINUM ALLOY 5052-H32 W/ FILM



NOTES:  
1. REMOVE ALL BURRS AND SHARP EDGES



EFFECTIVE: 07/01/24

# ANTENNA MOUNTING BRACKET - PROFILE DIMENSIONS

DETAIL No.

3500.08

SHEET 2 OF 2