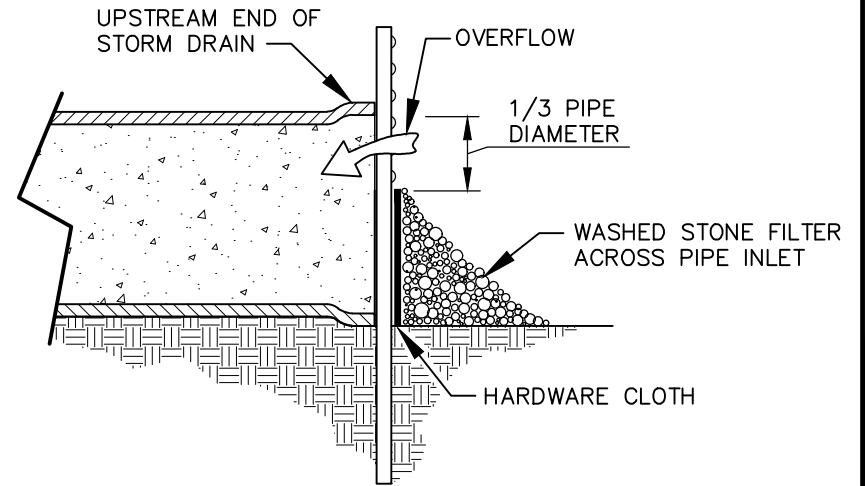
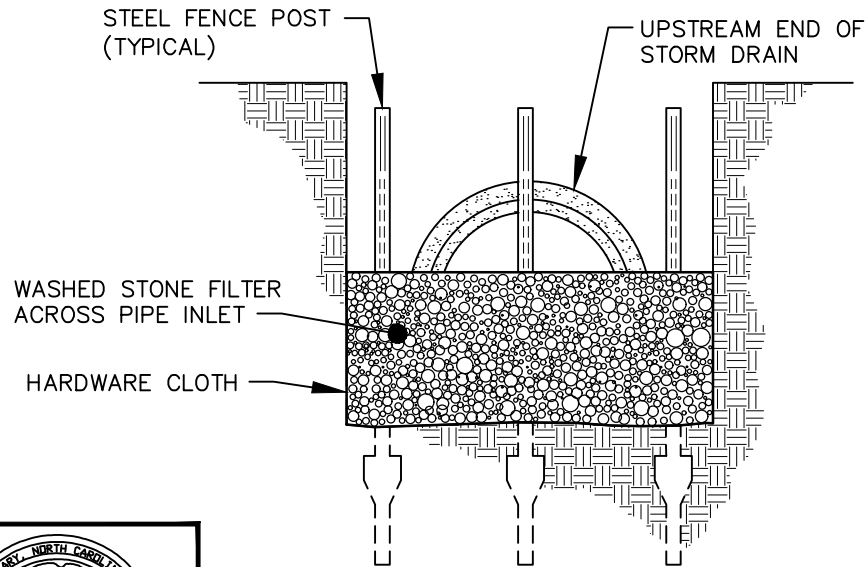
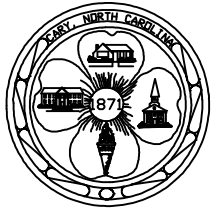


PLYWOOD INLET PROTECTION

NOTE:
ALL PARTIALLY COMPLETED STORM DRAINS,
UP TO 24 INCH PIPE SIZE, SHALL BE
PROTECTED AT THE END OF EACH DAY IN
ACCORDANCE WITH THESE DETAILS.



STONE FILTER INLET PROTECTION



NTS

STANDARD PIPE INLET PROTECTION (PLYWOOD & STONE)

EFFECTIVE: 07/01/24

DETAIL No.

4000.12