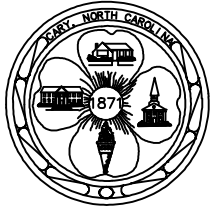
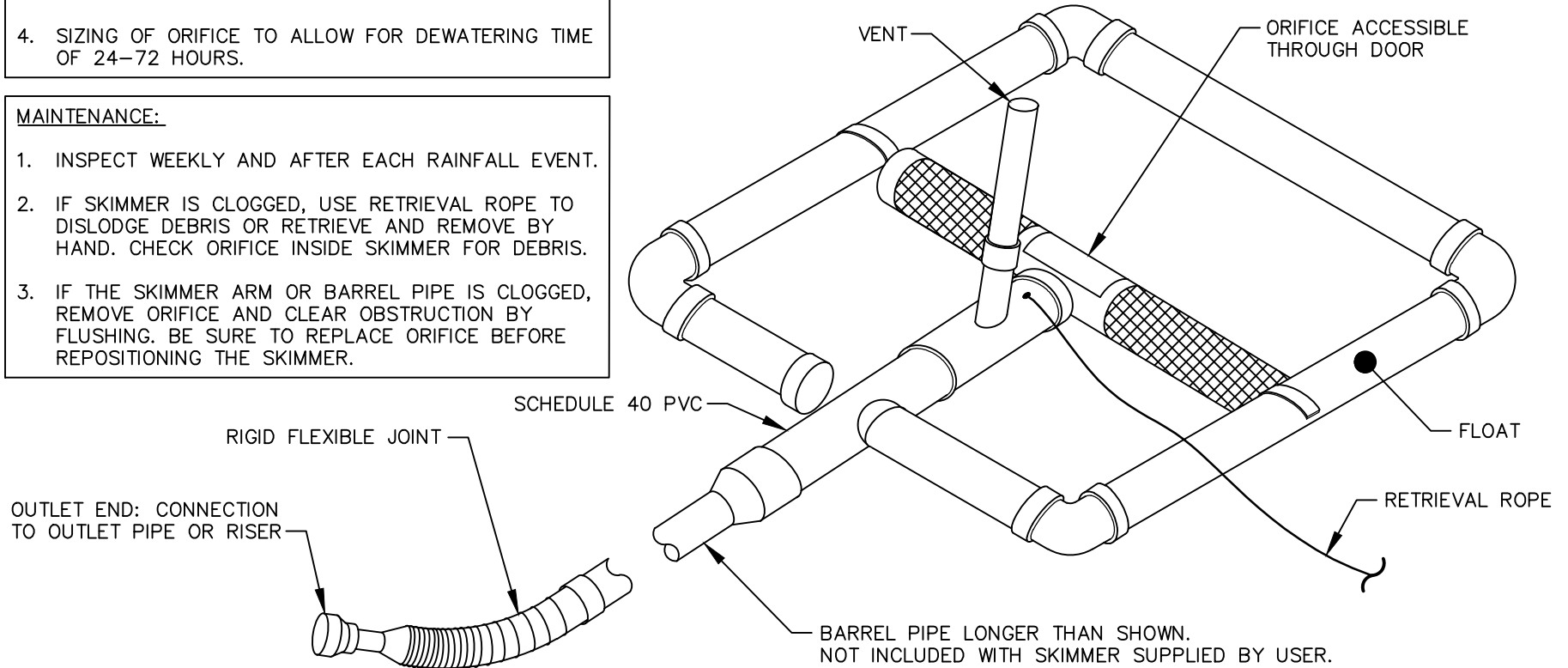


NOTES:

1. SKIMMER IS TO BE A SURFACE DEWATERING DEVICE SUCH AS SKIMMER BASIN OR APPROVED DEVICE.
2. SKIMMER SHOULD RISE TO LEVEL OF WEIR HEIGHT IN TEMPORARY BASIN OR TO RISER INLET.
3. ROPE ATTACHED TO SKIMMER TO HELP KEEP CLEAN.
4. SIZING OF ORIFICE TO ALLOW FOR DEWATERING TIME OF 24-72 HOURS.

MAINTENANCE:

1. INSPECT WEEKLY AND AFTER EACH RAINFALL EVENT.
2. IF SKIMMER IS CLOGGED, USE RETRIEVAL ROPE TO DISLODGE DEBRIS OR RETRIEVE AND REMOVE BY HAND. CHECK ORIFICE INSIDE SKIMMER FOR DEBRIS.
3. IF THE SKIMMER ARM OR BARREL PIPE IS CLOGGED, REMOVE ORIFICE AND CLEAR OBSTRUCTION BY FLUSHING. BE SURE TO REPLACE ORIFICE BEFORE REPOSITIONING THE SKIMMER.



NTS

STANDARD SKIMMER DETAIL

DETAIL No.

4000.18

EFFECTIVE: 07/01/24