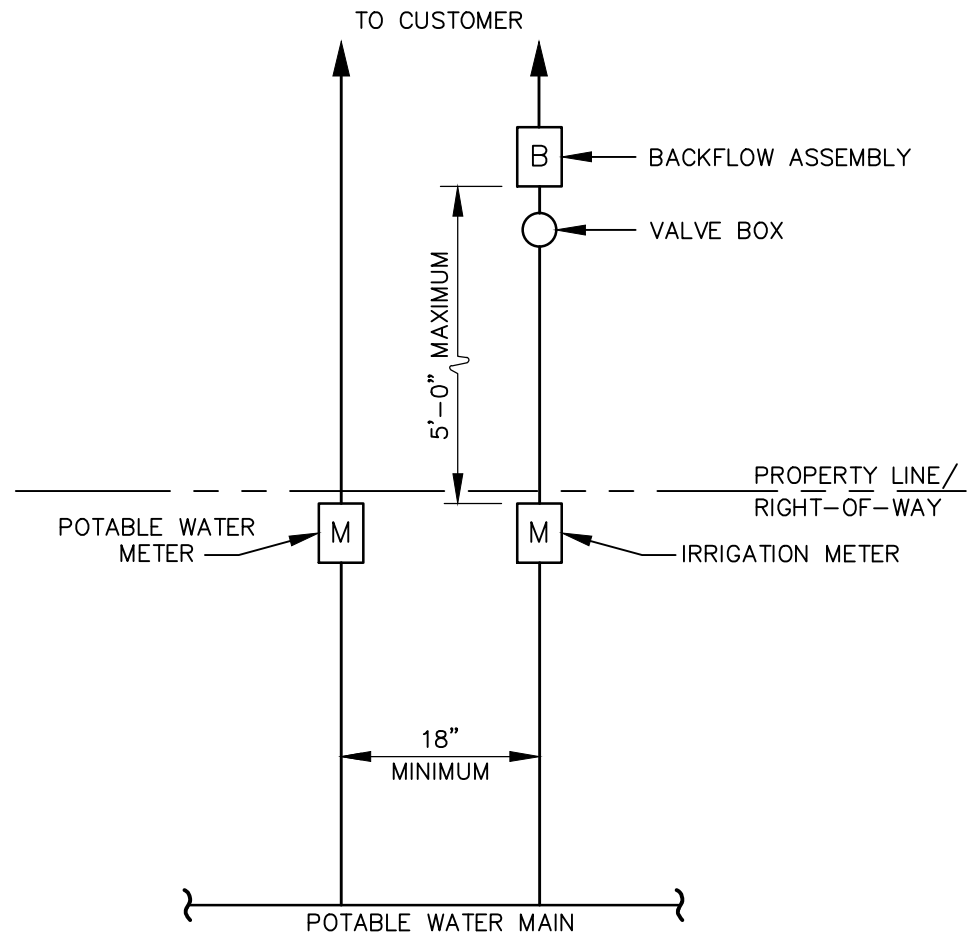


ALTERNATE 1  
RETROFIT



ALTERNATE 2  
NEW CONSTRUCTION



EFFECTIVE: 07/01/24

STANDARD IRRIGATION SERVICE CONNECTIONS

DETAIL No.

6200.01