

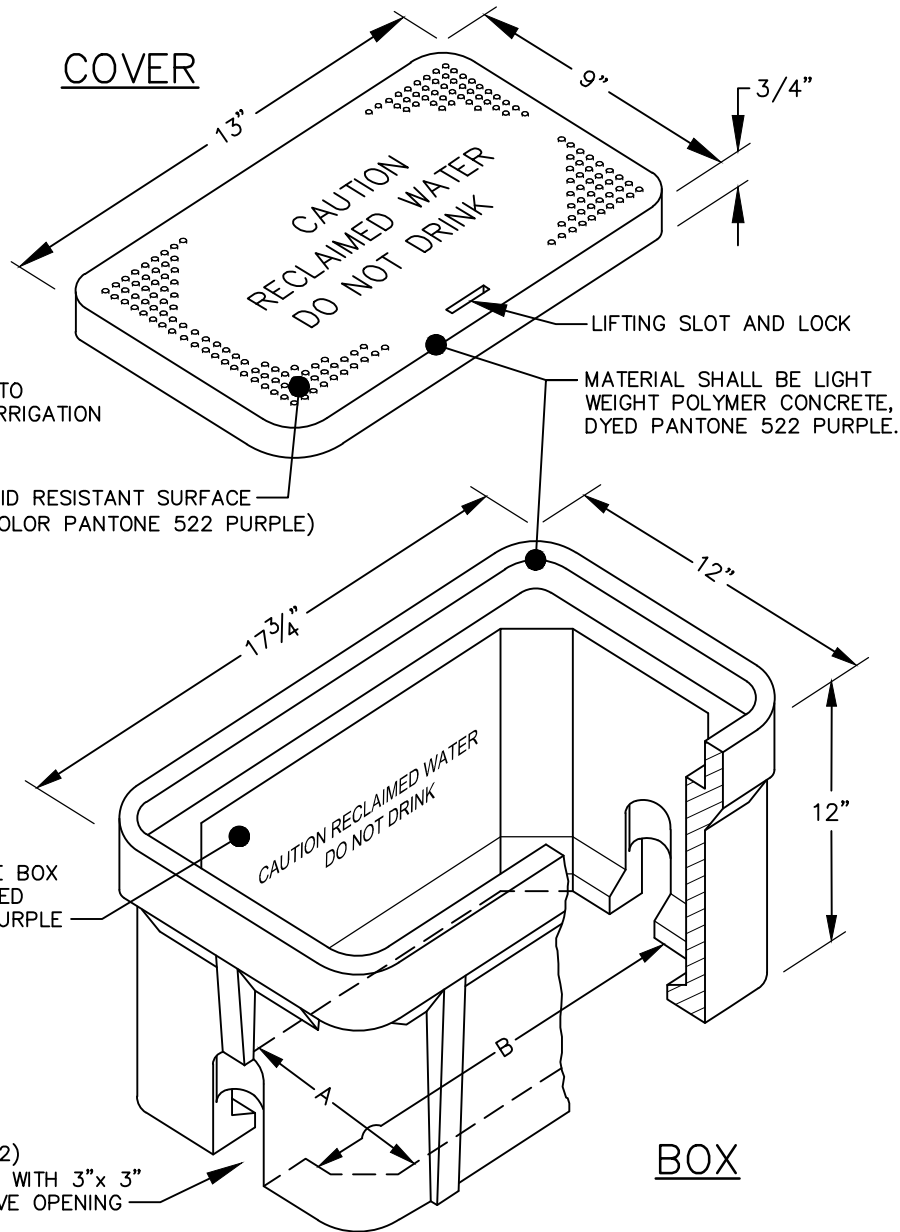
**ELEVATION**

**NOTES:**

1. TO ENSURE POSITIVE DRAINAGE, THE VAULT SHALL HAVE AN OPEN BOTTOM TO ALLOW DRAINAGE THROUGH STONE.
2. STANDARD RECLAIMED WATER HOSE BIB AND BOX SHALL BE MAINTAINED ON PRIVATE PROPERTY BY OWNER.
3. PRECAST CONCRETE BOX WITH ALUMINUM ACCESS HATCH WILL BE AN ACCEPTABLE ALTERNATIVE WITH APPROVAL OF THE DIRECTOR OF UTILITIES.
4. THE INTERIOR OF THE BOX SHALL BE STENCILED WITH THE WORDS "CAUTION RECLAIMED WATER DO NOT DRINK".
5. ALL BRASS COMPONENTS SHALL BE 'NO LEAD' BRASS MEETING UNS C89833 AS PER ASTM B584.

**DIMENSIONS (INCHES)**

A	B
10 1/4"	15 1/2"



**BOX**



EFFECTIVE: 07/01/24

**STANDARD RECLAIMED WATER HOSE BIB AND BOX**

DETAIL No.

6500.07