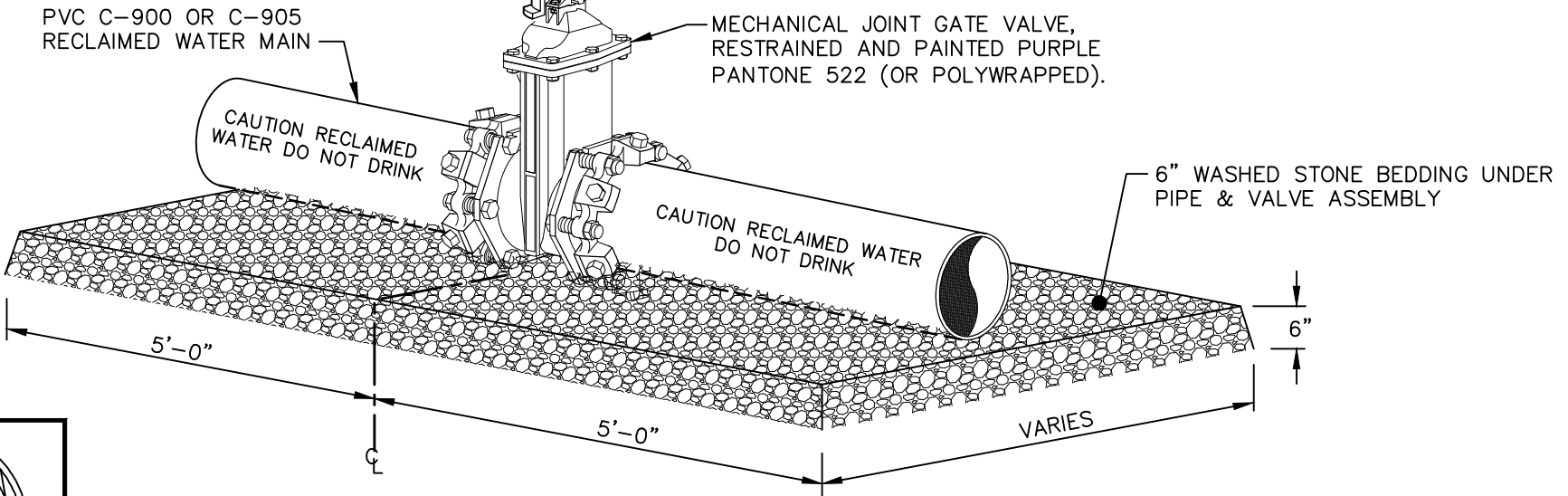


NOTES:

1. VALVE OPERATOR EXTENSION SHALL BE INSTALLED IN ALL CASES WHERE THE VALVE OPERATOR IS GREATER THAN 6-FT DEPTH FROM THE SURFACE.
2. SPUR GEAR OPERATOR REQUIRED FOR GATE VALVES ≥ 18 INCHES.



EFFECTIVE: 07/01/24

**RESILIENT WEDGE GATE VALVE ASSEMBLY FOR RECLAIMED WATER
(VERTICAL INSTALLATIONS)**

DETAIL No.
6500.14