

1" DIAMETER VENT HOLE

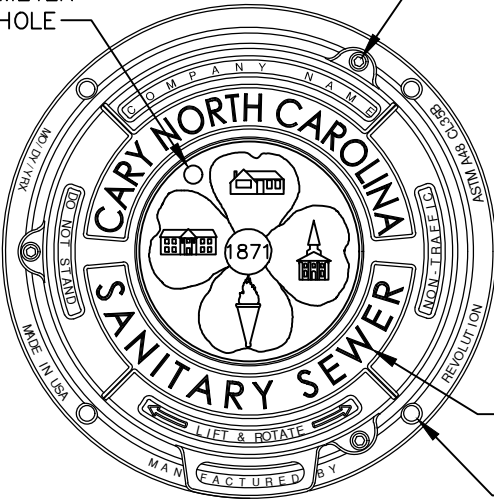
(3) HEX HEAD $\frac{3}{8}$ "-16
ZINC PLATED BOLT WITH ZINC WASHER
& ZINC COATED STAINLESS STEEL NUT

SPECIFICATIONS:

1. GRAY IRON.
2. COMPLIES WITH ASTM A48 CL35B.
3. ALL LETTERING SHALL BE CLEAN, CRISP, AND CLEARLY LEGIBLE.
4. DOMESTICALLY MADE AND MANUFACTURED IN THE USA.

$\frac{1}{2}$ " RAISED LETTERING
(RECESSED FLUSH)

(4) 1" DIA. HANDLING HOLES
ON A $29\frac{3}{4}$ " DIA. B.C.



COVER TOP VIEW

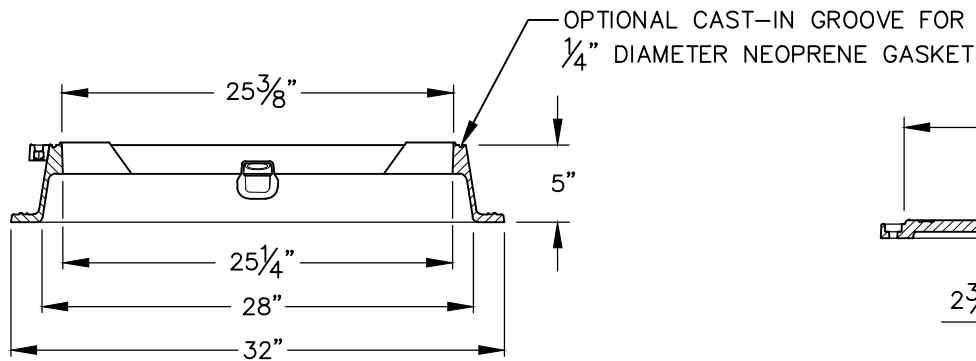
$5\frac{5}{16}$ "

CAST-IN
STAINLESS
STEEL ROD

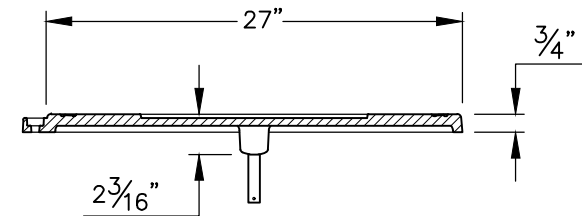
$11\frac{5}{8}$ "

COVER SECTION
B-B

FRAME SECTION
B-B



FRAME SECTION
A-A



COVER SECTION
A-A



EFFECTIVE: 07/01/24

STANDARD MANHOLE RING AND COVER
(TYPE 2B FOR OUTFALLS - NON-WATERTIGHT APPLICATIONS)

DETAIL No.

7000.09