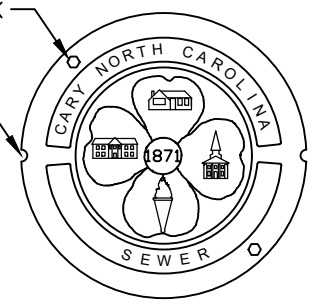


(2) 1/2" x 1 3/4" HEX HEAD, TYPE 316 STAINLESS STEEL BOLTS AND WASHERS AT 180° COUNTERSUNK

(2) PICKHOLES 1" DIAMETER

RING & COVER SPECIFICATIONS:

1. CLASS 35 GREY IRON.
2. COMPLIES WITH ASTM A48 CL35B.
3. ALL LETTERING SHALL BE CLEAN, CRISP, AND CLEARLY LEGIBLE.
4. DOMESTICALLY MADE AND MANUFACTURED IN THE USA.
5. MINIMUM WEIGHTS: RING = 180, COVER = 120.



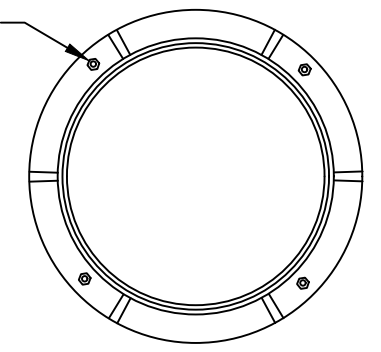
COVER TOP VIEW

MANHOLE SIZES:

- 4' UP TO 18" FORCE MAIN AND 5' DEPTH.
- 5' UP TO 24" FORCE MAIN AND 6' DEPTH.
- 6' UP TO 36" FORCE MAIN AND 10' DEPTH.

UP SIZE IF BOTH CRITERIA ARE NOT MET.
 DEPTH MEASURED FROM TOP OF PIPE TO FINISHED GRADE.

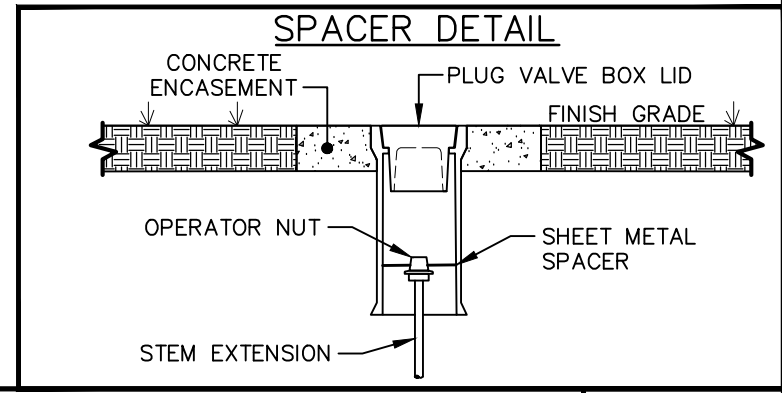
(4) 3/8" x 4 1/2" ANCHOR BOLTS



RING TOP VIEW

JOINT RESTRAINT SHALL BE POLY WRAPPED

NOTE:
 1. PROVIDE PIPE SUPPORT IF MORE THAN 50% OF THE VALVE IS IN THE MANHOLE.



STANDARD PLUG VALVE INSTALLATION GREATER THAN 12" WITHIN THE RIGHT-OF-WAY (OUTSIDE OF PAVEMENT)

DETAIL No.
 7200.08