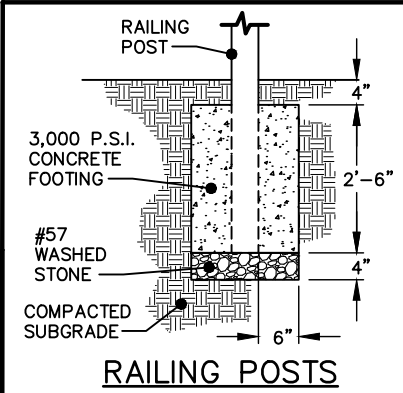


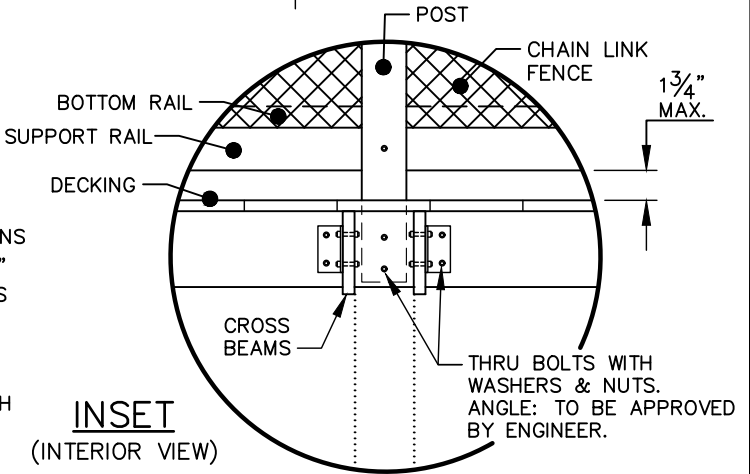
**ELEVATION VIEW**  
 (FOR PLAN & SECTION VIEW SEE  
 DETAIL 9500.06 & 9500.07)



**RAILING POSTS**

**NOTES:**

1. INTERIOR SPANS ARE 8'-6" AND END SPANS ASSOCIATED WITH ABUTMENTS ARE 8'-2 1/4" BUT SHALL BE SPACED APPROPRIATELY AS PER SEALED DESIGNS.
2. ALL CHAIN LINK FENCE FABRIC, FITTING HARDWARE, AND ACCESSORIES SHALL BE BLACK VINYL COATED IN ACCORDANCE WITH ARTICLE 1050 OF NCDOT STANDARD SPECIFICATIONS.



**INSET**  
 (INTERIOR VIEW)



EFFECTIVE:07/01/24

**STANDARD BOARDWALK (ELEVATION VIEW)**

DETAIL No.  
 9500.09