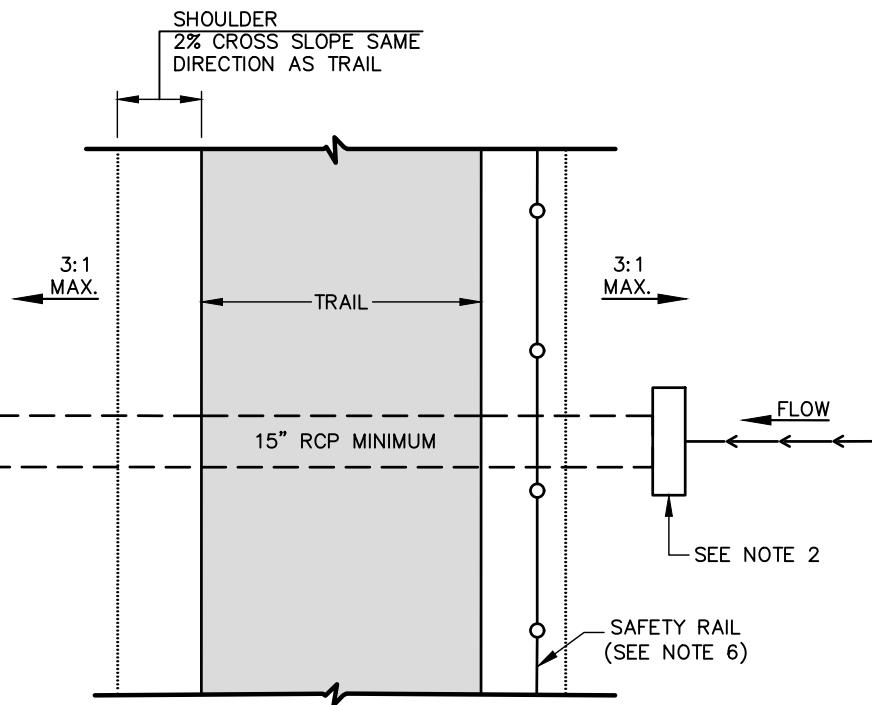


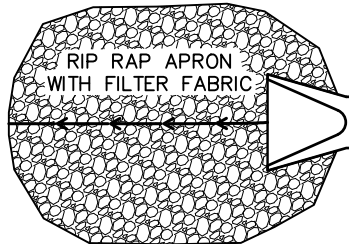
PROFILE VIEW

NOTES:

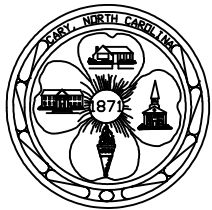
1. PIPE SHALL BE SIZED BY ENGINEER WITH CALCULATIONS INCLUDED IN PLANS, BUT SHALL BE MINIMUM CLASS III REINFORCED CONCRETE PIPE, 15 INCH DIAMETER.
2. HEADWALLS, ENDWALLS, OR FLARED END SECTIONS SHALL BE INSTALLED AT ENDS OF PIPE.
3. BACKFILL PIPE TRENCH TO 95% COMPACTION PER AASHTO METHOD T99 AND TOC STANDARD 5020.
4. 2 FOOT GRASSED SHOULDERS AT MAXIMUM 2% CROSS SLOPE SHALL BE MAINTAINED.
5. MAXIMUM 3:1 SIDE SLOPES TO BE MAINTAINED BEYOND SHOULDERS.
6. SAFETY RAIL REQUIRED IF VERTICAL DROP AT HEADWALL OR FLARED END SECTION IS 30" OR GREATER, OR IF INDICATED ON PLANS. SEE DETAIL 9400.01.



PLAN VIEW



GREENWAY CULVERT



EFFECTIVE:07/01/24

DETAIL No.

9600.01